



SOLAR LED STREET LIGHT

Ultra Lumens-All-in-Two Designs 2017

Key Advantages

PROGRAMMABLE

Smart solar controller built-in, power brightness and lighting time are adjustable via remote controller.

MICROWAVE SENSOR

More area can be covered than PIR sensor, longer distance and wider sensitive angle, more stable than PIR.

EXTERNAL SOLAR PANEL

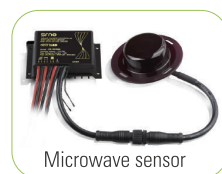
Solar panel separated from light allows to increase power to meet the solar radiations in different latitude and longitude. Max 200W solar panel is allowed for 50W LED with 6200lm output.

CONNECTION

MC4 male & female plugs directly to 18V solar panel. quick and easy for connection. 2.5mm² power cord for less voltage drop.

COMPACT SYSTEM

Battery and solar controller, sensor are built-inside of light, only need to be connected to 18V system, NO more other operation, easy, simple and quick installation.



Remote Setting



Microwave Sensor



MC4 Plugs Connection

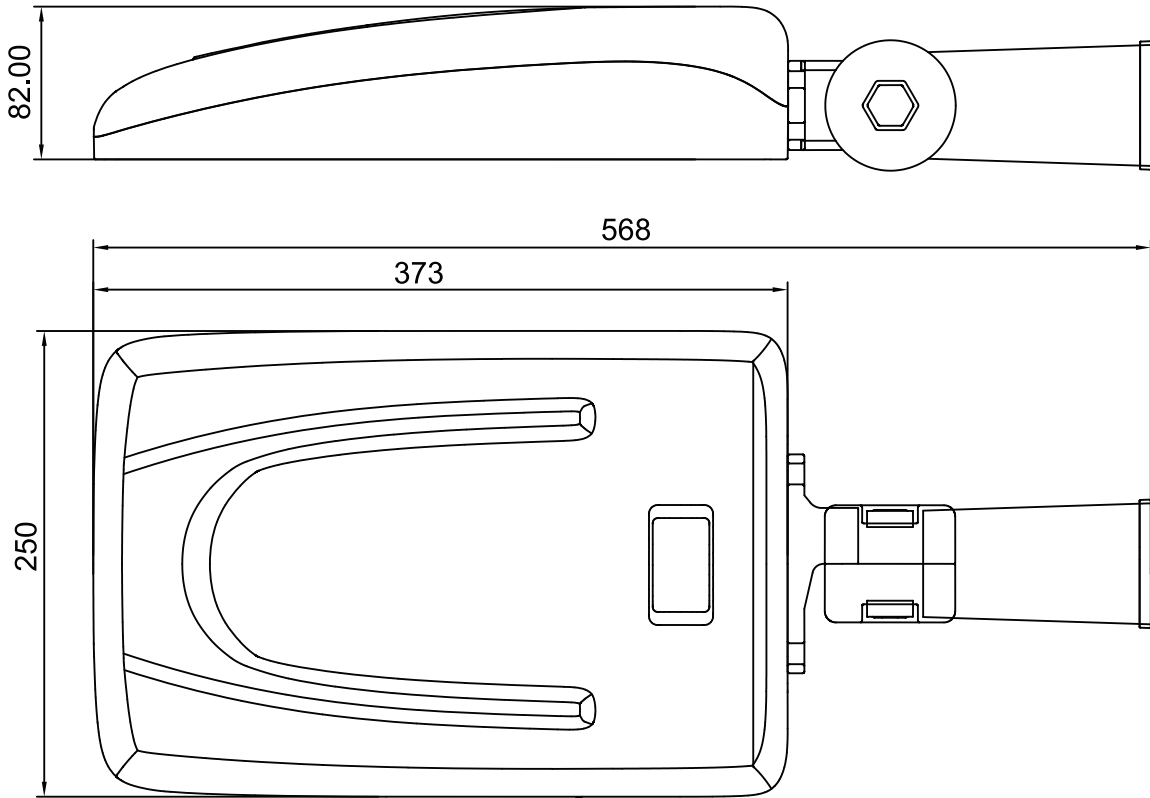


Lithium Battery



12 Hrs/Day
130 LM/W

 Product Meas'



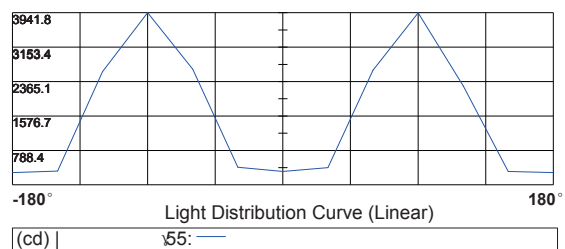
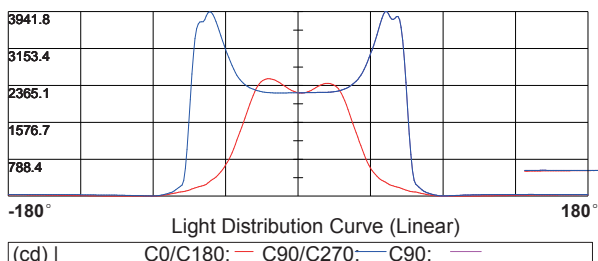
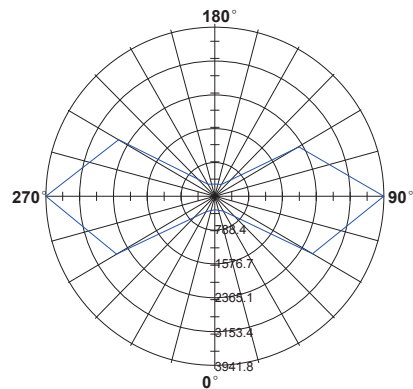
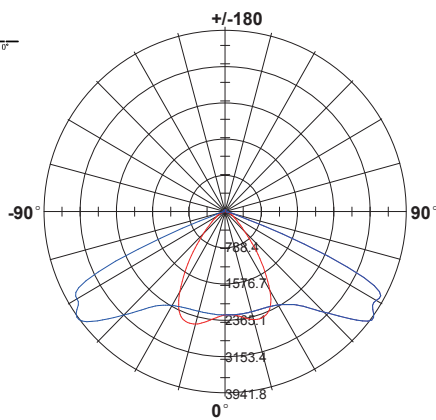
Dimension:

 IES Data

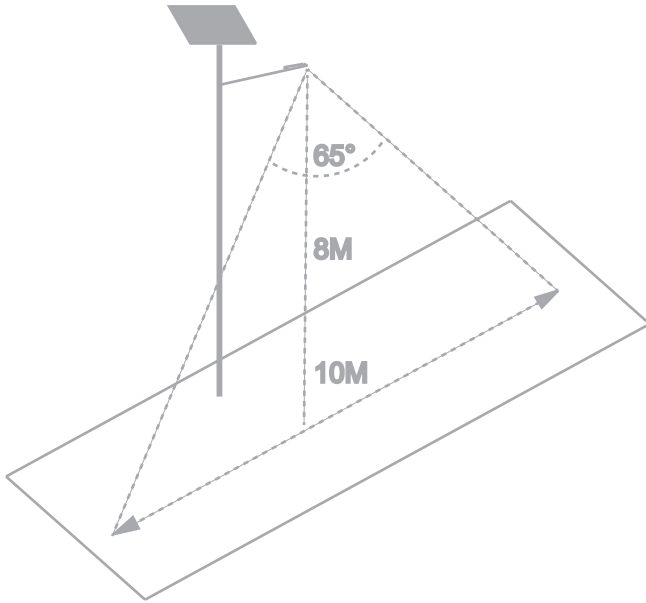
Light Distribution Curve [Unit: cd]

Max Plane Light Distribution Curve [Unit: cd]

Luminaire



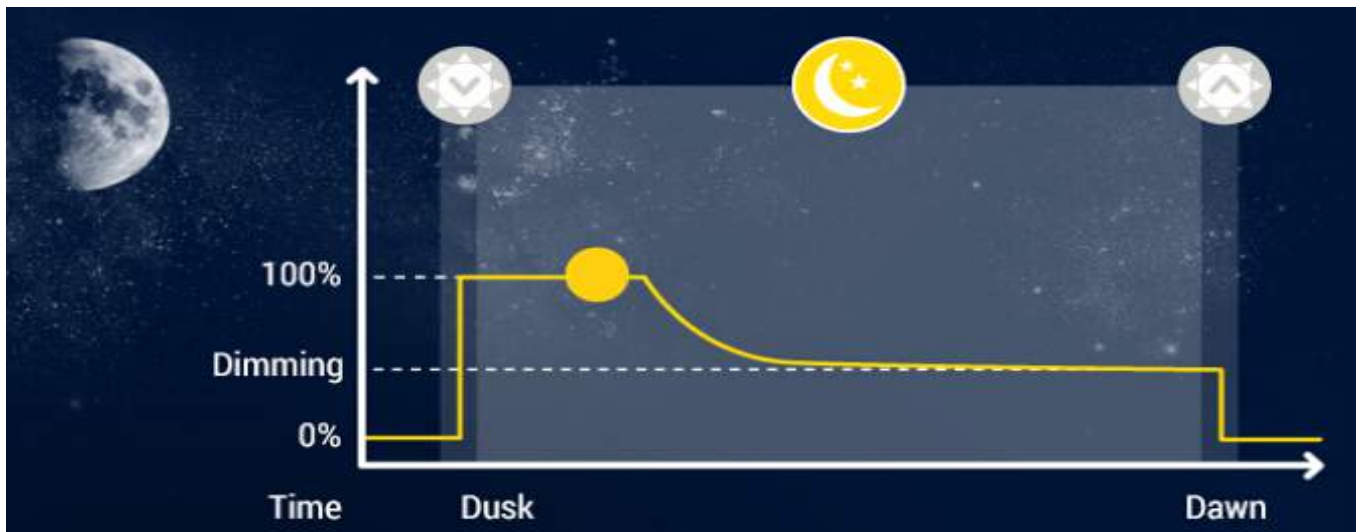
Induction Sensor



Microwave (Radar) sensor is adopted in this light in order to save more energy. Energy saving mode is adjustable by the remote control easily. Radar sensor is more sensitive than PIR sensor in much wider angle and longer distance, And it can be triggered easily with slight movements. The best sensitive distance from people / object to light sensor should be within 12 meters.

PIR sensor is optional

Remote Control



Example A of Program Setting:

Time-1: 3 hours 100% bright

Time-2: 5 hours 50% bright.(Dimming)

(In this period, the light will become 80% bright when people close the light about 60 seconds, and 50% bright when people leave the light.

Time-3: 4 hours 30% bright. (Dimming)

(In this period, the light will become 50% bright when people close the light about 60 seconds, and 30% bright when people leave the light.

Tips:

1: Length of each time block is adjustable from 0~15 hours freely.

2: Brightness of each time block is adjustable from 0% to 100% freely.

3: The time delay when sensor is activated is adjustable from 10 seconds to 150 seconds.



Type A:

Model Number	AI-U15WA	AI-U20WA	AI-U40WA	AI-U60WA
LED Power	15W	20W	40W	60W
Beam angle	140*70Degree	140*70Degree	140*70Degree	140*70Degree
Luminous flux	>1,800lm	>2,600lm	>4,800lm	>7,200lm
CCT Temp	2700K~6000K	2700K~6000K	2700K~6000K	2700K~6000K
CRI	>83	>83	>83	>83
LED Type & Qty	Philips 72Pcs	Philips 72Pcs	Philips 90Pcs	Philips 90Pcs
IP Rating	IP67	IP67	IP67	IP67
Lithium Battery Type	Li(NiCoMn)O2	Li(NiCoMn)O2	Li(NiCoMn)O2	Li(NiCoMn)O2
Battery Capacity	17.5AH 11.1V	24AH 11.1V	43.9AH 11.1V	57.2.AH 11.1V
System Voltage	12V	12V	12V	12V
Controller Type	PWM	PWM	MPPT	MPPT
Solar Panel				
PV Voltages	18VDC	18VDC	18VDC	18VDC
PV Power	40W	50W	80W	110W
PV Cell Type	MONO Cell	MONO Cell	MONO Cell	MONO Cell
Pole Height suggested	3~5M	4~6M	5~8M	6~10M

Type B:

Model Number	AI-U15WB	AI-U20WB	AI-U30WB	AI-U40WB
LED Power	15W	20W	30W	40W
Beam angle	140*70Degree	140*70Degree	140*70Degree	140*70Degree
Luminous flux	>1,800lm	>2,600lm	>4,000lm	>4,800lm
CCT Temp	2700K~6000K	2700K~6000K	2700K~6000K	2700K~6000K
CRI	>83	>83	>83	>83
LED Type & Qty	Philips 72Pcs	Philips 72Pcs	Philips 72Pcs	Philips 90Pcs
IP Rating	IP67	IP67	IP67	IP67
Lithium Battery Type	LifePo4 Battery	LifePo4 Battery	LifePo4 Battery	LifePo4 Battery
Battery Capacity	10.5AH 12.8V	13.5AH 12.8V	19.5AH 12.8V	24AH 12.8V
System Voltage	12V	12V	12V	12V
Controller Type	PWM	PWM	MPPT	MPPT
Solar Panel				
PV Voltages	18VDC	18VDC	18VDC	18VDC
PV Power	40W	50W	70W	80W
PV Cell Type	MONO Cell	MONO Cell	MONO Cell	MONO Cell
Pole Height suggested	3~5M	4~6M	5~8M	6~10M



Bug Free



No Mercury



Bright Color



Long Lifetime



Low Wattage



Energy Saving



Eco Friendly

Technical Specification-Type A



Model: AI-U15WA

Rated Power: 15w

LED Type&Qty: Philips LED 72Pcs

Luminous flux: 1800lm

Beam Angle: 140*70 degree

Pole Height suggested: 3-5M



Battery Type: Li(NiCoMn)O2 battery

Battery Capacity: 17.5AH

Nominal Voltage: 11.1V

Charge Voltage: 12.6V

Standard Discharge Current: 1.35A

Discharge Cut-off Voltage: 9V

Cells Qty: 27Pcs

Lifetime: 1000 cycles



Charging Mode: PWM

System voltage: 12V

Output Power: 12V/40W Max

Charging Current: 10A Max

Output Current: 1.89A Max

Sensor Type: Microwave as optional

Programmable by remote: Yes



Cell Type: Mono Cell

Max Power: 40W

Max Voltage: 18VDC

Max working Current: 2.2A

Max System Voltage: 1000V

Dimension: 670*420*25mm

N.G: 4kg

Cable Section: 2.5mm²

Connection: Male&Female MC4 cables



Technical Specification-Type A



Model: AI-U20WA

Rated Power: 20w

LED Type&Qty: Philips LED 72Pcs

Luminous flux:2600lm

Beam Angle: 140*70 degree

Pole Height suggested: 4-6M



Battery Type: Li(NiCoMn)O₂ battery

Battery Capacity: 24.1AH

Nominal Voltage: 11.1V

Charge Voltage: 12.6V

Standard Discharge Current: 1.8A

Discharge Cut-off Voltage: 9V

Cells Qty:36Pcs

Lifetime: 1000 cycles



Charging Mode: PWM

System voltage: 12V

Output Power: 12V/40W Max

Charging Current: 10A Max

Output Current: 1.89A Max

Sensor Type: Microwave as optional

Programmable by remote: Yes



Cell Type: Mono Cell

Max Power: 50W

Max Voltage: 18VDC

Max working Current: 2.7A

Max System Voltage: 1000V

Dimension: 700*530*25mm

N.G: 4.6kg

Cable Section: 2.5mm²

Connection: Male&Female MC4 cables



Technical Specification-Type A



Model: AI-U30WA

Rated Power: 30w

LED Type&Qty: Philips LED 72Pcs

Luminous flux: 4000lm

Beam Angle: 140*70 degree

Pole Height suggested: 5-8M



Battery Type: Li(NiCoMn)O2 battery

Battery Capacity: 35.2AH

Nominal Voltage: 11.1V

Charge Voltage: 12.6V

Standard Discharge Current: 2.7A

Discharge Cut-off Voltage: 9V

Cells Qty:48Pcs

Lifetime: 1000 cycles



Charging Mode: MPPT

System voltage: 12V

Output Power: 12V/60W Max

Charging Current: 8A Max

Output Current: 3.3A Max

Sensor Type: Microwave as optional

Programmable by remote: Yes



Cell Type: Mono Cell

Max Power: 70W

Max Voltage: 18VDC

Max working Current: 3.8A

Max System Voltage: 1000V

Dimension: 680*670*30mm

N.G: 6.4kg

Cable Section: 2.5mm²

Connection: Male&Female MC4 cables

Technical Specification-Type A



Model: AI-U40WA

Rated Power: 40w

LED Type&Qty: Philips LED 90Pcs

Luminous flux: 4800lm

Beam Angle: 140*70 degree

Pole Height suggested: 5-8M



Battery Type: Li(NiCoMn)O2 battery

Battery Capacity: 43.9AH

Nominal Voltage: 11.1V

Charge Voltage: 12.6V

Standard Discharge Current: 3.6A

Discharge Cut-off Voltage: 9V

Cells Qty:60Pcs

Lifetime: 1000 cycles



Charging Mode: MPPT

System voltage: 12V

Output Power: 12V/60W Max

Charging Current: 8A Max

Output Current: 3.3A Max

Sensor Type: Microwave as optional



Cell Type: Mono Cell

Max Power: 90W

Max Voltage: 18VDC

Max working Current: 5A

Max System Voltage: 1000V

Dimension: 850*670*30mm

N.G: 8.5kg

Cable Section: 2.5mm²

Connection: Male&Female MC4 cables

Technical Specification-Type A



Model: AI-U50WA

Rated Power: 50w
 LED Type&Qty: Philips LED 90Pcs
 Luminous flux: 6000lm
 Beam Angle: 140*70 degree
 Pole Height suggested: 6-10M



Battery Type: Li(NiCoMn)O2 battery

Battery Capacity: 49.4AH
 Nominal Voltage: 11.1V
 Charge Voltage: 12.6V
 Standard Discharge Current: 4.5A
 Discharge Cut-off Voltage: 9V
 Cells Qty:57Pcs
 Lifetime: 1000 cycles



Charging Mode: MPPT
 System voltage: 12V
 Output Power: 12V/60W Max
 Charging Current: 8A Max
 Output Current: 3.3A Max
 Sensor Type: Microwave as optional



Cell Type: Mono Cell
 Max Power: 100W
 Max Voltage: 18VDC
 Max working Current: 5.5A
 Max System Voltage: 1000V
 Dimension: 1000*670*30mm
 N.G: 8.5kg
 Cable Section: 2.5mm²
 Connection: Male&Female MC4 cables

Technical Specification-Type A



Model: AI-U60WA

Rated Power: 60w
 LED Type&Qty: Philips LED 90Pcs
 Luminous flux: 7200lm
 Beam Angle: 140*70 degree
 Pole Height suggested: 6-12M



Battery Type: Li(NiCoMn)O2 battery

Battery Capacity: 57.2AH
 Nominal Voltage: 11.1V
 Charge Voltage: 12.6V
 Standard Discharge Current: 5.4A
 Discharge Cut-off Voltage: 9V
 Cells Qty:66Pcs
 Lifetime: 1000 cycles



System voltage: 12V
 Output Power: 12V/60W Max
 Charging Current: 8A Max
 Output Current: 3.3A Max
 Sensor Type: Microwave as optional



Cell Type: Mono Cell
 Max Power: 110W
 Max Voltage: 18VDC
 Max working Current: 6.1A
 Max System Voltage: 1000V
 Dimension: 1040*670*30mm
 N.G: 8.5kg
 Cable Section: 2.5mm²
 Connection: Male&Female MC4 cables

Technical Specification-Type B



Model: AI-U15WB

Rated Power: 15w

LED Type&Qty: Philips LED 72Pcs

Luminous flux: 1800lm

Beam Angle: 140*70 degree

Pole Height suggested: 3-5M



Battery Type: LifePo4 battery

Battery Capacity: 10.5AH

Nominal Voltage: 12.8V

Charge Voltage: 14.6V

Standard Discharge Current: 1.17A

Discharge Cut-off Voltage: 11V

Cells Qty: 28Pcs

Lifetime: 2000 cycles



Charging Mode: PWM

System voltage: 12V

Output Power: 12V/40W Max

Charging Current: 10A Max

Output Current: 1.89A Max

Sensor Type: Microwave as optional

Programmable by remote: Yes



Cell Type: Mono Cell

Max Power: 40W

Max Voltage: 18VDC

Max working Current: 2.2A

Max System Voltage: 1000V

Dimension: 670*420*25mm

N.G: 4kg

Cable Section: 2.5mm²

Connection: Male&Female MC4 cables

Technical Specification-Type B



Model: AI-U20WB

Rated Power: 20w

LED Type&Qty: Philips LED 72Pcs

Luminous flux:2600lm

Beam Angle: 140*70 degree

Pole Height suggested: 4-6M



Battery Type: LifePo4 battery

Battery Capacity: 13.5AH

Nominal Voltage: 12.8V

Charge Voltage: 14.6V

Standard Discharge Current: 1.56A

Discharge Cut-off Voltage: 11V

Cells Qty:36Pcs

Lifetime: 2000 cycles



Charging Mode: PWM

System voltage: 12V

Output Power: 12V/40W Max

Charging Current: 10A Max

Output Current: 1.89A Max

Sensor Type: Microwave as optional

Programmable by remote: Yes



Cell Type: Mono Cell

Max Power: 50W

Max Voltage: 18VDC

Max working Current: 2.7A

Max System Voltage: 1000V

Dimension: 700*530*25mm

N.G: 4.6kg

Cable Section: 2.5mm²

Connection: Male&Female MC4 cables

Technical Specification-Type B



Model: AI-U30WB

Rated Power: 30w

LED Type&Qty: Philips LED 72Pcs

Luminous flux: 4000lm

Beam Angle: 140*70 degree

Pole Height suggested: 5-8M



Battery Type: LifePo4 Battery

Battery Capacity: 19.5AH

Nominal Voltage: 12.8V

Charge Voltage: 14.6V

Standard Discharge Current: 2.3A

Discharge Cut-off Voltage: 11V

Cells Qty:52Pcs

Lifetime: 2000 cycles



Charging Mode: MPPT

System voltage: 12V

Output Power: 12V/60W Max

Charging Current: 8A Max

Output Current: 3.3A Max

Sensor Type: Microwave as optional

Programmable by remote: Yes



Cell Type: Mono Cell

Max Power: 70W

Max Voltage: 18VDC

Max working Current: 3.8A

Max System Voltage: 1000V

Dimension: 680*670*30mm

N.G: 6.4kg

Cable Section: 2.5mm²

Connection: Male&Female MC4 cables

Technical Specification-Type B



Model: AI-U40WB

Rated Power: 40w

LED Type&Qty: Philips LED 90Pcs

Luminous flux: 4800lm

Beam Angle: 140*70 degree

Pole Height suggested: 5-8M



Battery Type: LifePo4 Battery

Battery Capacity: 24AH

Nominal Voltage: 12.8V

Charge Voltage: 14.6V

Standard Discharge Current: 3.1A

Discharge Cut-off Voltage: 11V

Cells Qty:64Pcs

Lifetime: 2000 cycles



Charging Mode: MPPT

System voltage: 12V

Output Power: 12V/60W Max

Charging Current: 8A Max

Output Current: 3.3A Max

Sensor Type: Microwave as optional



Cell Type: Mono Cell

Max Power: 80W

Max Voltage: 18VDC

Max working Current: 4.4A

Max System Voltage: 1000V

Dimension: 880*670*30mm

N.G: 8.5kg

Cable Section: 2.5mm²

Connection: Male&Female MC4 cables

Detailed View



Lithium Battery Pack
High temperature resistant, up to 2000 cycles lifetime. (DOD 70%)
Smart BMS protection.



Philips SMD LED Source
More LEDs is used, driven with lower current, achieving more than 150lm/w.
High efficiency than normal solar lights.



MPPT Solar Controller
Higher charging efficiency than PWM controllers, Ensuring enough power generated for every night,



Switch Button
Aluminium material, anti-UV & Oxidation
High performance.



Adjustable brackets
Marked with digitals, easy to adjust up/down when installation. Flexible for different projects condition



Microwave & PIR sensor
Two kinds of sensors are optional for different applications for different sensitive performance.



72Pcs Philips LED



90Pcs Philips LED



REKALUX

W : www.rekalux.com | E : info@rekalux.com

Mobile: 0811-223-1107

Jl Terusan Jakarta, Komp Ruko Puri Dago, No 342 Kav 31,
Kelurahan Sukamiskin, Kecamatan Arcamanik, Sukamiskin,
Arcamanik, Kota Bandung, Jawa Barat 40293